

# THE BOILER HOUSE SOLUTION

HOT WATER BOILER

## HEB Range – High Efficiency

18 models : 90 to 2,300 kW



BS EN ISO 9001:2000  
FM29856



### HEB Boiler Range

■ **A complete package**

*Boiler / Jacket / Burner / Multifunction Control Panel / Full commissioning and after sales support*

■ **Efficiency up to 96.2%**

■ **Perfectly matched boiler / burner**

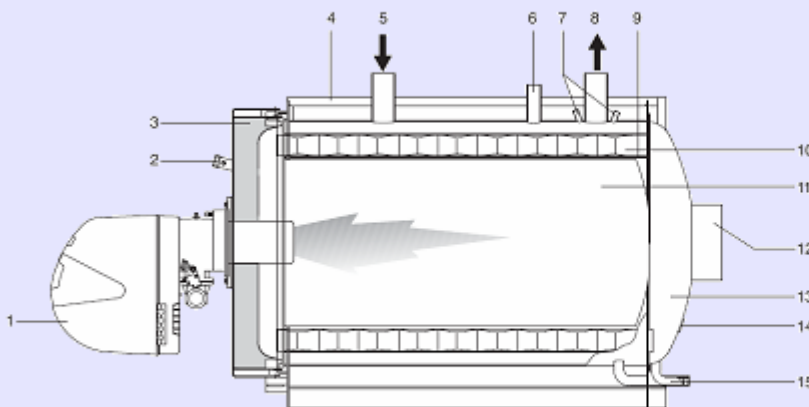
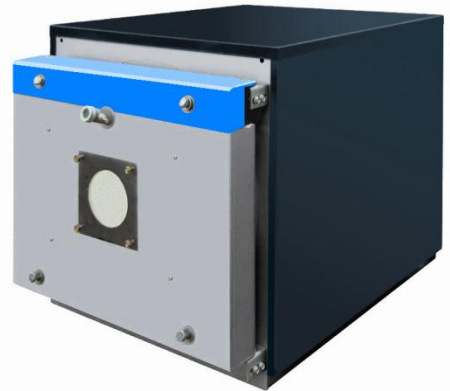


**Babcock Wanson**  
Groupe **CNIM**

# THE BOILERHOUSE SOLUTION

## Product Description

- 18 models from 90 to 2,300 kW
- The design of the combustion chamber and heat exchange surfaces has been optimised to suit the flame geometry of the matched burner
- Innovative and fully proven construction that guarantees high efficiency and long life.
- Gas, Fuel, Dual fuel and/or Biogas burner with low emissions and high combustion efficiency specifically matched to the boiler
- High efficiencies that could reach **96.2%**
- Operating pressure :5 bar from HEB 90 to HEB 730, 6 bar on larger models
- Full furnace access without removing the burner
- Freely expanding main furnace tube
- Combustion turbulators in stainless steel



### Legend

- 1 – Burner
- 2 – Flame viewing port
- 3 – Furnace door
- 4 – Insulated jacket
- 5 – Water Inlet
- 6 – Relief valve connection
- 7 – Instrumentation connection
- 8 – Water outlet
- 9 – Fire tubes
- 10 – Stainless steel turbulators
- 11 – Combustion chamber
- 12 – Chimney connection
- 13 – Flue gas plenum
- 14 – Inspection door
- 15 – Condensate drain



# THE BOILER HOUSE SOLUTION

## Technical Characteristics

MODEL	Gross Power		Net heat Output		Efficiency	Efficiency	Efficiency	Furnace Pressure mb	Operating pressure (bars)	Max Out let temp (°C)	Min Inlet temp (°C)	Water Capacity (litres)
	Min	Max	Min	Max	@ Pn miini	@ Pn maxi	30% Pn maxi					
<b>HEB 90</b>	80	90	77	86,9	96,2	96	95,1	0,8	5	100	55	161
<b>HEB 110</b>	90	115	86,6	109,7	96,2	95,8	95,1	1,5	5	100	55	161
<b>HEB 160</b>	115	166	110,4	158,7	96	95,6	95,6	1,3	5	100	55	191
<b>HEB 210</b>	166	217	159,2	206,8	95,9	95,3	96,3	2,2	5	100	55	268
<b>HEB 240</b>	217	255	208,8	243,3	96,2	95,8	96,5	2,8	5	100	55	258
<b>HEB 300</b>	250	318	239,5	303,4	95,8	95,6	96,5	3,2	5	100	55	308
<b>HEB 330</b>	318	348	304	332	95,6	95,4	96,7	3,9	5	100	55	308
<b>HEB 420</b>	384	448	369,4	427,4	96,2	95,4	96,7	3,5	5	100	55	593
<b>HEB 480</b>	448	511	431	487,5	96,2	95,4	96,7	4,2	5	100	55	593
<b>HEB 540</b>	511	575	491,6	548,6	96,2	95,4	96,7	3,4	5	100	55	758
<b>HEB 610</b>	575	639	553,2	609,6	96,2	95,4	96,7	4,5	5	100	55	758
<b>HEB 730</b>	639	766	614,7	730,8	96,2	95,4	96,7	5,3	5	100	55	839
<b>HEB 850</b>	766	896	736,9	854,8	96,2	95,4	96,7	6	6	100	55	1080
<b>HEB 1050</b>	896	1100	962	1049,4	96,2	95,4	96,7	3,3	6	100	55	1350
<b>HEB 1240</b>	1020	1300	981,2	1240,2	96,2	95,4	96,7	5,3	6	100	55	1480
<b>HEB 1530</b>	1300	1600	1250,6	1526,4	96,2	95,4	96,7	4,7	6	100	55	1716
<b>HEB 2000</b>	1600	2100	1539,2	2003,4	96,2	95,4	96,7	5,1	6	100	55	2000
<b>HEB 2300</b>	2100	2400	2020,2	2289,6	96,2	95,4	96,7	7,6	6	100	55	2000

## Ancillary Equipment And Services

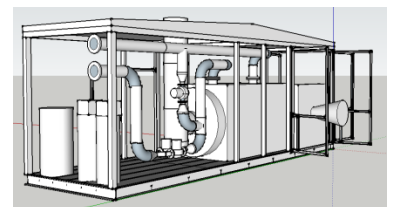
### BABCOCK-WANSON Burners



### Ancillary Equipment



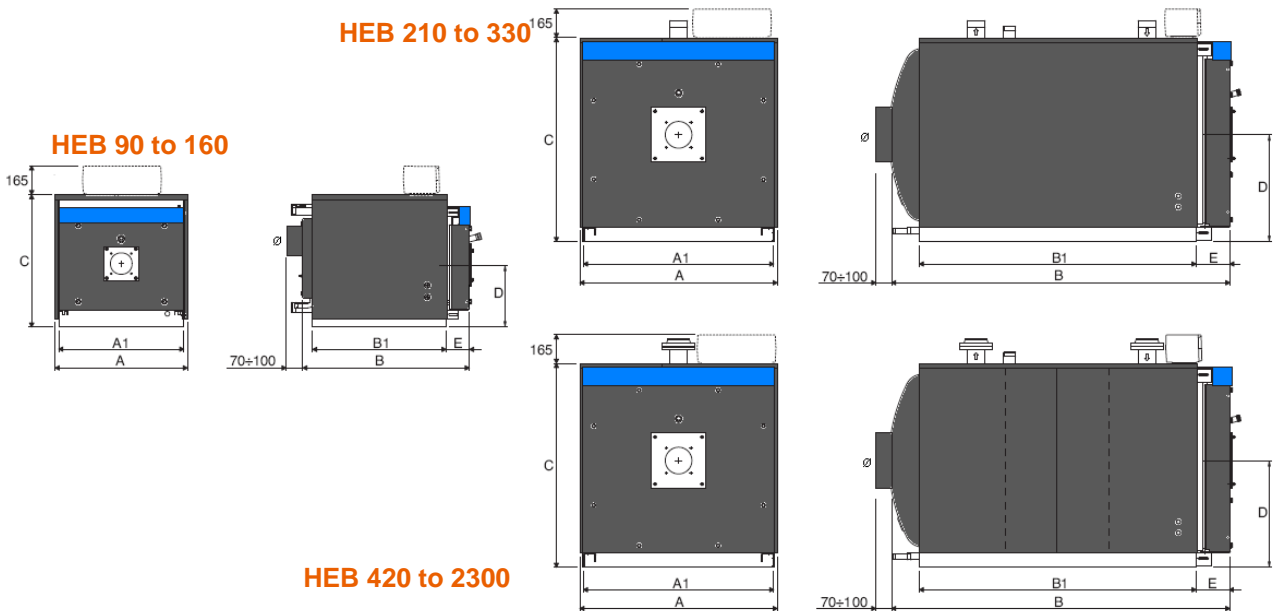
### Bespoke Package Designs



**Babcock Wanson**  
Groupe CNIM

# THE BOILER HOUSE SOLUTION

## Dimensions



MODELS	A	A1	B	B1	C	D	E	IN/OUT	Ø	Dry weight kg
<b>HEB 90</b>	805	753	1130	945	790	410	135	G2"	180	258
<b>HEB 110</b>	805	753	1130	945	790	410	135	G2"	180	258
<b>HEB 160</b>	853	803	1160	1110	840	435	145	G2"	180	325
<b>HEB 210</b>	925	875	1480	1255	980	525	150	G2"1/2	200	420
<b>HEB 240</b>	925	875	1480	1255	980	525	150	G2"1/2	200	438
<b>HEB 300</b>	975	925	1710	1450	1030	550	180	G2"1/2	250	568
<b>HEB 330</b>	975	925	1710	1450	1030	550	180	G2"1/2	250	568
<b>HEB 420</b>	1150	1100	2040	1710	1210	655	195	DN 80	300	920
<b>HEB 480</b>	1150	1100	2040	1710	1210	655	195	DN 80	300	920
<b>HEB 540</b>	1220	1170	2310	1930	1280	690	205	DN 100	300	1134
<b>HEB 610</b>	1220	1170	2310	1930	1280	690	205	DN 100	300	1134
<b>HEB 730</b>	1285	1235	2450	2110	1335	715	215	DN 100	350	1336
<b>HEB 850</b>	1360	1310	2765	2375	1430	755	245	DN 125	400	1730
<b>HEB 1050</b>	1450	1400	3030	2470	1530	820	270	DN 125	400	2185
<b>HEB 1240</b>	1535	1485	3055	2580	1610	865	290	DN 125	450	2670
<b>HEB 1530</b>	1610	1555	3135	2630	1680	900	300	DN 150	500	3045
<b>HEB 2300</b>	1715	1660	3415	2980	1850	1000	300	DN 175	500	4170

