

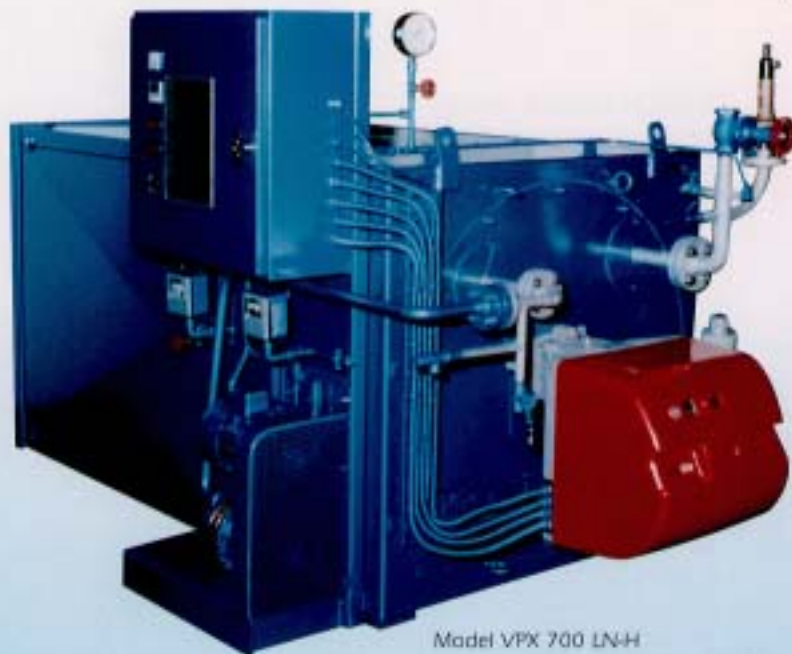


Babcock Wanson UK

ENIM Group

Energy made to Measure

STEAM GENERATORS SERIES VPX LN



Model VPX 700 LN-H

- Once through forced circulation coil type steam generator with generous heating surface and rapid steam raising capability. Fully packaged and works-tested ready for use on arrival at site.
- Construction available to all major specifying and inspecting bodies requirements: Lloyds, BV, DNV, ISPESL, UDT etc.
- Compact, safe, quiet, efficient, simple low maintenance steam generation up to 50 bar.
- Low emission combustion systems with oil, gas or dual fuel operation.
- Rugged pedigree of progressive development over 40 years. Fully automatic and BMS/Telemetry compatible.

- Low Nox
- Low Noise
- Low heat emission
- Low maintenance
- High efficiency 90%+
- High performance
- High specification
- High furnace volume and heating surface
- High safety
- Long life and easy care



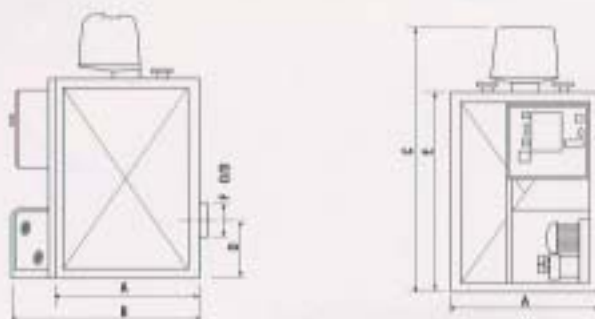
Model VPX 1250 LN-V

- **Safety** – The VPX-LN steam generator contains no pressure vessel, is inherently safe from explosion risk and is suitable for unattended operation at point of use or in a centralised location.
- **Simplicity** – The VPX LN control and safety systems are electronic. No water level controls are required, maintenance associated with these devices is, therefore, eliminated. Moving parts are limited to the simple feed pump and burner fan system.
- **High Pressure** – With the standard feed water pump design, operating pressures of up to 50 bar are available according to client specification.

Special versions of the VPX LN series designated VPX HP are available for generating steam in closed circuit thermosyphon applications at up to 95 bar working pressure.

- **Feed Water Pump** – The simple powerful feed water pump fitted to the VPX LN series of steam generators is a positive displacement type with hydraulic drive and is completely sealed against leakage.
- **Burners** – Standard package burners are fitted in either light oil, gas or dual fuel configuration, fully integrated into the control system of the steam generator for safe automatic operation. Nox and emission figures are well within European standard limits.
- **Steam Quality** – The VPX LN units are offered with the proven Babcock Wanson steam separator and drier unit which ensures minimum heat loss and a high dryness fraction.
- **Water Treatment** – With all steam raising equipment it is essential to provide properly treated feed water which must be soft, alkaline and free from oxygen. A guidance document on feed water quality is available from Babcock Wanson UK. The VPX LN steam generator design is much less sensitive to high levels of TDS (dissolved salts and solids) than fire tube boiler designs which means reduced running costs resulting from reduced blow down losses.

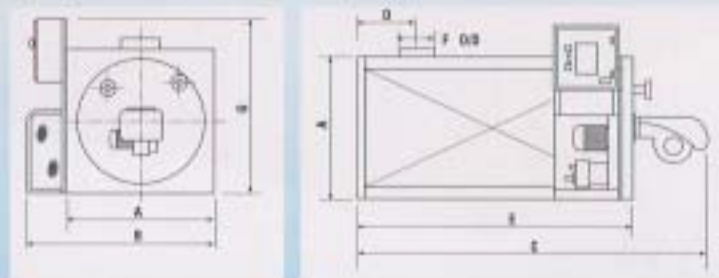
VERTICAL STEAM GENERATOR SERIES VPX LN-V



DIMENSIONS (mm)

Model VPX LN	200	300	350	400	500	600	700	850	1100	1250	1500	1800
A	870	870	1030	1030	1000	1060	1100	1100	1200	1200	1300	1380
B	1220	1220	1360	1360	1410	1410	1450	1450	1565	1565	1705	1785
C	1600	1600	2080	2080	2290	2290	2750	2750	3110	3110	3400	3400
D	414	414	380	380	380	380	424	424	485	485	540	540
E	1155	1155	1405	1405	1635	1635	1800	1800	2065	2065	2543	2543
F	200	200	250	250	250	250	250	250	298	298	348	348
G	1470	1470	1470	1470	1470	1470	1470	1470	1470	1470	1605	1605

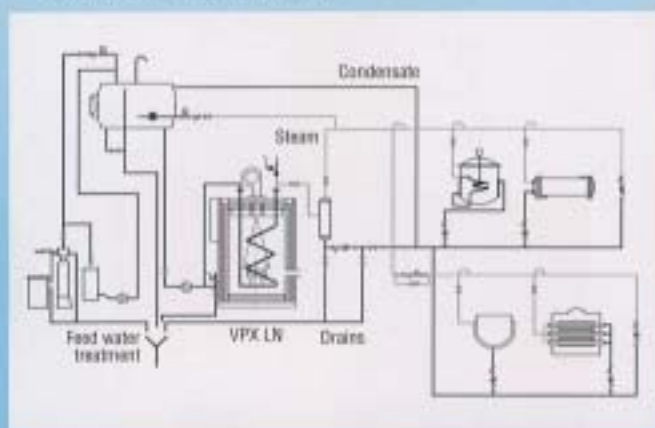
HORIZONTAL STEAM GENERATOR SERIES VPX LN-H



TECHNICAL DATA

Model VPX LN	200	300	350	400	500	600	700	850	1100	1250	1500	1800
Normal Output kg/h	230	300	350	400	500	600	700	850	1100	1250	1500	1800
Output @ 180°C kg/h	224	336	391	448	560	672	785	952	1200	1400	1678	2016
kW Power	141	211	246	281	352	423	482	606	708	870	1065	1304
Operating Weight kg	738	750	1080	1060	1500	1500	1980	1980	2410	2410	3470	3828
Water Cont. l	33	33	68	68	182	102	135	135	215	215	375	375
Fuel Cons. Gasol. l/h	18	24	28	32	40	48	58	70	88	102	121	147
Fuel Cons. N. Gas. m ³ /h	18.5	25.5	29	33	41	50	58	70	87	100	124	153
Press. Stack Int. dia. mm	200	254	254	254	254	254	300	300	356	356	406	457
Flare Blower kW	0.125	0.25	0.37	0.37	0.58	0.85	1.5	1.5	3	3	3	3
Feed Pump Water kW	0.25	0.25	0.87	0.67	0.67	0.87	0.87	0.87	1.3	1.3	1.3	2.2

Light Oil equivalent to BS 2869 Class D
Natural gas (G20) GCV 37.8 MJ/m³



Schematic typical VPX LN steam system

After Sales Service – All parts of the VPX LN series are replaceable and upgradable and Babcock Wanson UK maintains a well stocked parts store. In addition to a full commissioning service our Service Division, staffed with fully trained and qualified engineers, CORGI approved, is able to offer on call as well as planned service and maintenance contracts wherever you are and whenever required.

**"115 years of Babcock – 70 years of Wanson – 42 years of Wanson UK.
There is no substitute for experience."**



Babcock Wanson UK
ENIM Group

Babcock Wanson UK Ltd 7 Elstree Way, Borehamwood, Hertfordshire WD6 1SA, UK

Tel: 0181 953 7111 Fax: 0181 207 5177 Email: wanson@babcock-wanson.co.uk

Sales and Manufacturing facilities in UK, Belgium, France, Italy, Morocco, Poland, Portugal, Spain, and Switzerland.

The Babcock Wanson Organisation operates in more than 50 countries. This network makes it possible to offer services to Babcock Wanson customers anywhere in the world. Babcock Wanson Company's policy is one of continual improvement, and the right is reserved to change specifications and dimensions at any time without notice.